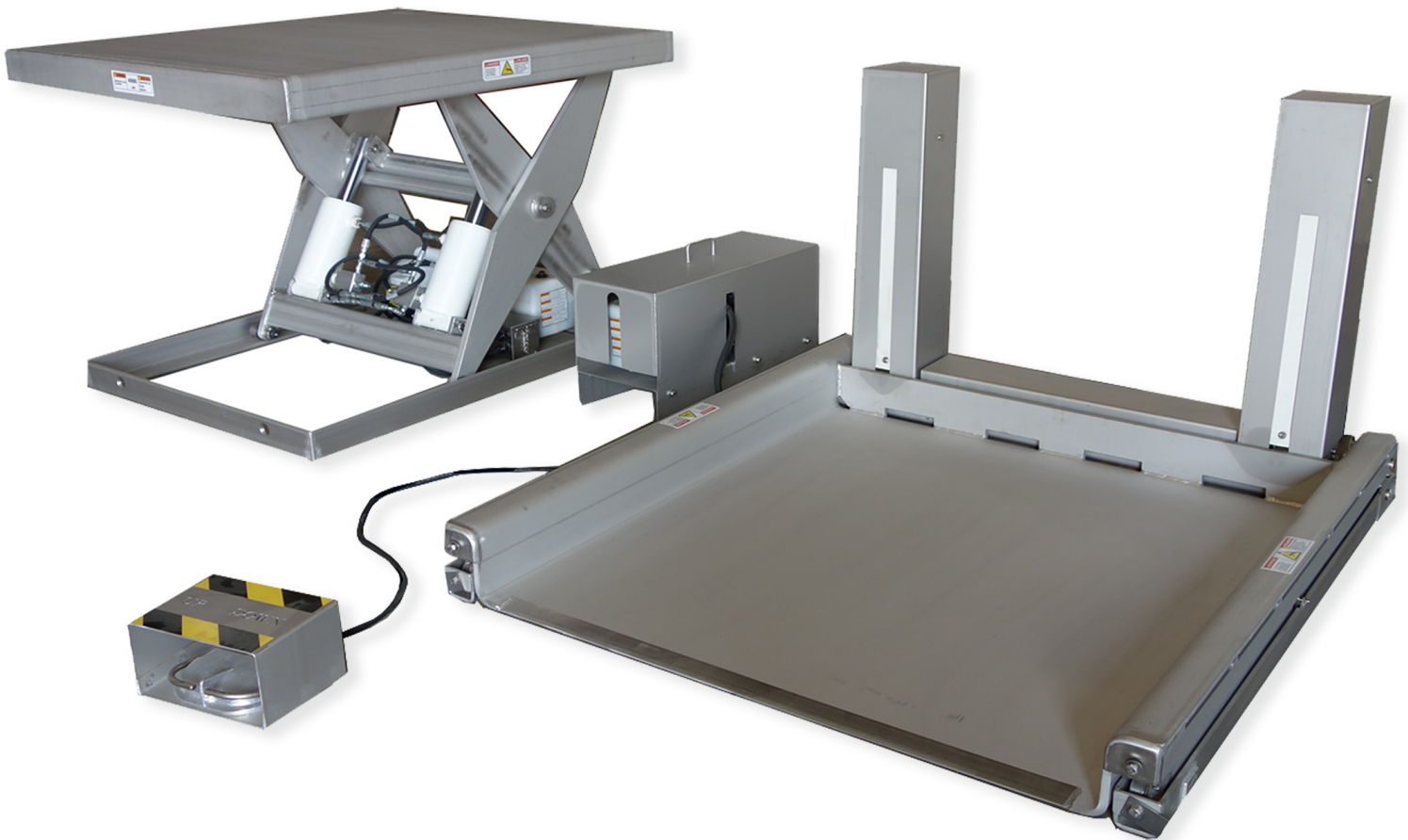


Mepaco®

RELIABLE BY DESIGN



RELIABLE BY DESIGN

Reliability is the cornerstone that transcends our products and services. Great strides are taken to exceed expectations in production, quality, workmanship, longevity, safety, sanitary design and overall value. Reliability must be realized by all who come in contact with our products and services.

SANITARY LIFTS

Ergonomic assist lifts designed for extreme sanitation

ERGONOMICS

Minimized Injuries Increase Productivity

Mepaco lifts are ergonomically designed and engineered to minimize lost-time injuries due to back strain and repetitive task disorders. The use of Mepaco's ergonomic lifts translate to faster up-time and increased profits.



EZL2500 shown in raised position

MODEL EZL2500

- Heavy-Duty T304 SS Construction
- Working Capacity: 2,500 Lbs (1,136 Kg)
- Platform Size: 48" (122 cm) x 42" (107 cm)
- Raised Platform Height: 36" (94 cm) [43" (109 cm) w/Side Rails]
- Beveled Low-Profile Platform
- Relief Valve to Prevent Overloading
- Control Valve for Controlled Descent in Case of Electrical Failure
- Self-Contained Power Unit
- 115 Volt Single Phase Hydraulic Drive w/Power Unit (Remotely Mounted)
- Safety Up-Down Foot Pedal Control
- Narrow 2.5" (6.4 cm) wide sides for easy loading/unloading
- Totally Enclosed Dual (Synchronized) Hydraulic Lift Cylinders
- Pickle Passivated Finish
- USDA Approved Design



EZ4000 shown with rotary top option

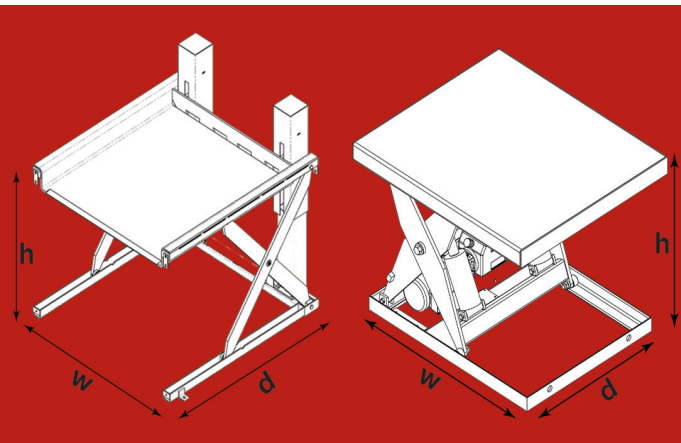
MODEL EZ4000

- Heavy-Duty T304 SS Construction
- Working Capacity: 4,000 Lbs (1,818 Kg)
- Platform Size: 48" (122 cm) x 42" (107 cm)
- Raised Platform Height: 36" (94 cm) [Lowered to 9" (23cm)]
- Relief Valve to Prevent Overloading
- Control Valve for Controlled Descent in Case of Electrical Failure
- Self-Contained Power Unit
- 115 Volt Single Phase Hydraulic Drive w/Power Unit (Integrally Mounted)
- Safety Up-Down Pendant Control
- Dual, Low Pressure Hydraulic Cylinders (SST Powder Coated)
- Pickle Passivated Finish
- USDA Approved Design

SANITATION

Mepaco Lifts Out-Perform in Sanitary Environments

Designing to USDA specifications, these lifts allow for clean-in-place wash-down processes. The lifts are constructed with T304 stainless steel material.



SANITARY LIFTS

Specifications and Dimensions

The EZL2500 and EZ4000 are stock units and are available for immediate delivery. Portable and rotary top units and other custom built lifts are also available.

MODEL	FOOTPRINT	RAISED HEIGHT	CAPACITY	WEIGHT
EZL2500	50" w x 55" d 127 cm x 140 cm	36" h (94 cm) 43" h (109 cm) w/side rails	2,500 lbs (1,136 Kg)	925 lbs. (420 Kg)
EZ4000	42" w x 48" d 107 cm x 123 cm	36" h (94 cm)	4,000 lbs (1,818 Kg)	688 lbs. (312 Kg)
EZ4000 w/ Rotary Top	63" dia. rotation 160 cm rotation	40" h (101 cm)	4,000 lbs (1,818 Kg)	963 lbs. (437 Kg)

Mepaco[®]
RELIABLE BY DESIGN

PART OF THE APACHE STAINLESS EQUIPMENT CORP. FAMILY

200 W. Industrial Drive, P.O. Box 538
Beaver Dam, WI 53916-0538 USA

Phone: 920-356-9900 Fax: 920-887-0206

Email: info@mepaco.net www.mepaco.net



OSHA
PIP (Process Industry Standards)
ASME & API-650

